

Please read this manual carefully before installation and keep it for future reference.  
If used as MULTI unit, please refer to the Installation & operation manuals packed with outdoor unit.

# Wired Controller Manual



**MRCOOL®**

**COMFORT MADE SIMPLE**

## Olympus Series Mid-Static Duct Air Handlers

Please keep this manual where the operator can easily find it. Inside, you will find helpful hints on how to use and maintain your unit properly.

For more info visit [www.mrcool.com](http://www.mrcool.com)

<b>!</b>	<b>Safety Precautions</b>	
	Warnings .....	2
	Cautions .....	2
<b>1</b>	<b>Accessories</b> .....	3
<b>2</b>	<b>Installation Method</b> .....	5

# Safety Precautions



## Read Before Using

**Incorrect usage may cause serious damage or injury.**

The seriousness of potential damage or injuries is classified as either a **WARNING** or **CAUTION**.



**WARNING**

This symbol indicates that ignoring instructions may cause death or serious injury.



**CAUTION**

This symbol indicates that ignoring instructions may cause moderate injury to your person, damage to your unit, or other property.




This symbol indicates that you should **NEVER** perform the indicated action.






## **WARNING**

- Please entrust the distributor or professionals to install the unit.
- Installation by other persons may lead to imperfect installation, electric shock or fire.
- Adhere to this installation manual. Improper installation may lead to electric shock or fire.
- Reinstallation must be performed by professionals.
- Improper installation may lead to electric shock or fire.

 **DO NOT** uninstall the unit unless you absolutely need to. Uninstalling multiple times may lead to abnormal operation, heating or fire of the unit.



## **CAUTION**

-  **DO NOT** install the unit in a place vulnerable to leakage of flammable gases. Once flammable gases are leaked and left around the wire controller, fire may occur.
-  **DO NOT** operate with wet hands or let water enter the wire controller. Otherwise, electric shock may occur.
-  **DO NOT** install in a location where there is heavy oil, vapor or sulfureted gas. These chemicals or vapors could cause system malfunction.
- The wiring should adapt to the wire controller current. Otherwise, electric leakage or heating may occur and result in fire.
- The specified cables shall be applied in the wiring. No external force may be applied to the terminal. Otherwise, wire cut and heating may occur and result in fire.

This unit includes the following accessories. Please confirm that all parts have been supplied before beginning installation.

PART	QUANTITY	REMARKS
Wire Controller	1	
Installation Manual	1	
User Manual	1	
Wire Controller Manual	1	
Screws	3	M4X20 (For mounting on the wall)
Wall Plugs	3	For mounting on the wall
Screws	2	M4X25 (For mounting on switch box)
Plastic Screw Bars	2	For fixing on switch box
Connective Wires Group	1	24AWG

Prepare the following assemblies on the site.

PART	QUANTITY	REMARKS
Switch Box	1	
Wiring Tube (Insulating Sleeve & Tightening Screw)	1	

## CAUTION

1. This manual provides the installation method for the wire controller. Please refer to the wiring diagram included in this installation manual to connect the wire controller with indoor unit.
2. The wire controller operates within in a low voltage loop circuit. **DO NOT** directly contact the cable of 220V commercial electricity or 380V high voltage, and **DO NOT** use this kind of wire in the circuit loop; wiring clearance between configured tubes should be in the range of 11.8~19.7 in or above.
3. The shielded wire of the wire controller must be grounded.
4. Upon finishing the wire controller connection, do not use a tramegger to detect the insulation.
5. The wire controller connective cable should not be longer than 65.62 ft.

## 1. Wired Remote Control Structure Size Figure

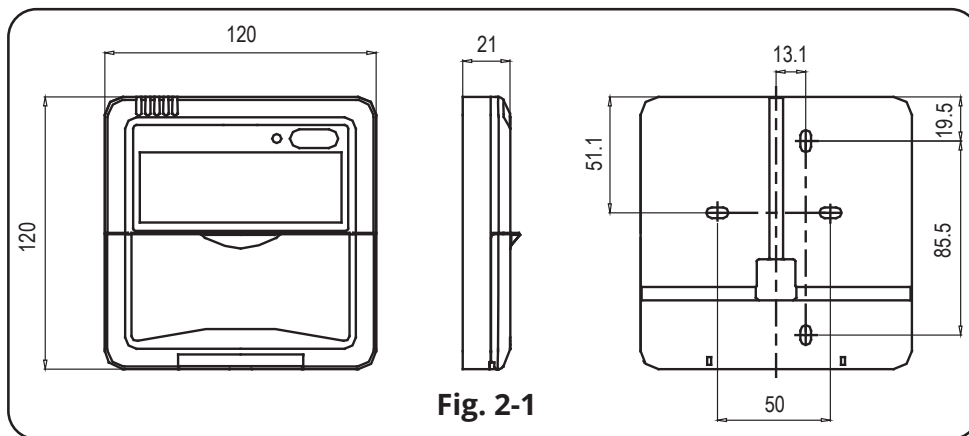


Fig. 2-1

## 2. Wiring Principle Sketch

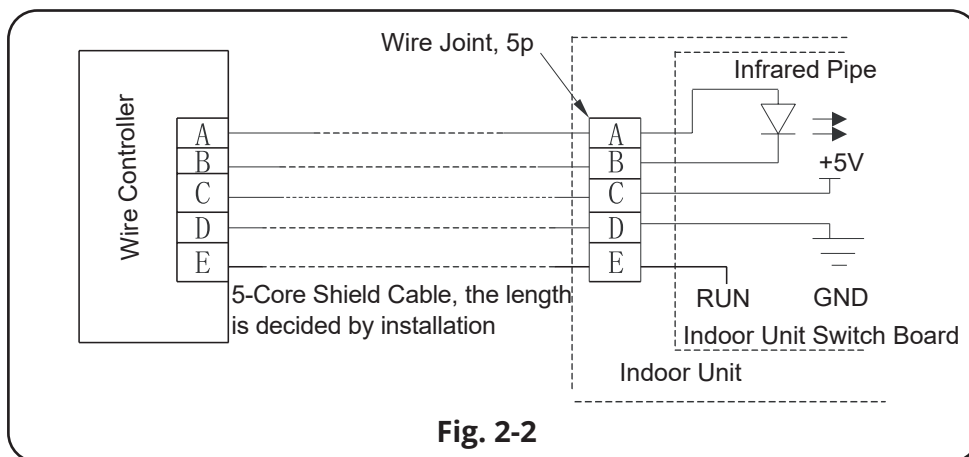


Fig. 2-2

## 3. Wiring Figure

- Connect the female joint of wires group from the mainboard with the male joint of connective wires group. (See Fig.2-3)
- Please connect the other side of connective wires group with the male joint of wires group leads from wire controller. (See Fig.2-3)

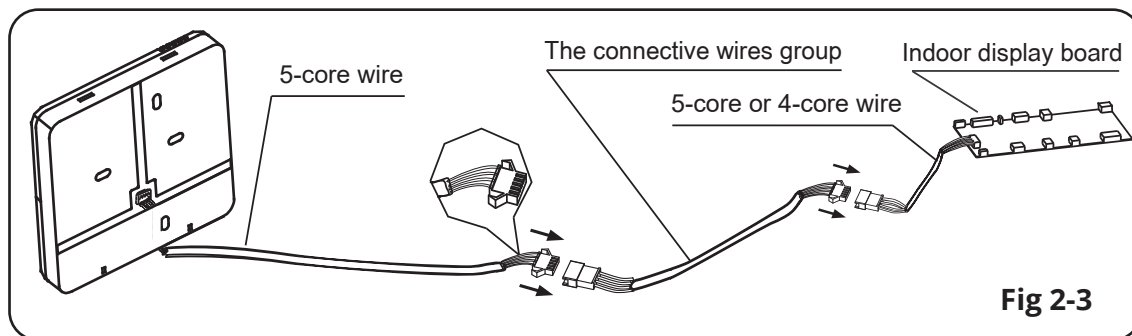


Fig 2-3

## 4. Remove Upper Part of Wire Controller

- Insert a slot screw driver into the slots in the lower part of the wire controller (2 places), and remove the upper part of the wire controller. (Fig.2-4)

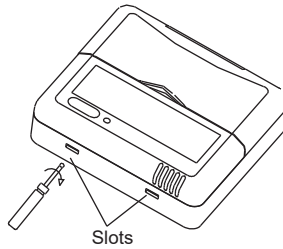


Fig 2-4

### **! WARNING**

The PCB is mounted in the upper part of the wire controller. Be careful not to damage the board with the slot screwdriver.

## 5. Fasten The Back Plate of the Wire Controller

- For exposed mounting, fasten the back plate on the wall with the 3 screws (M4×20) and plugs. (Fig.2-5)

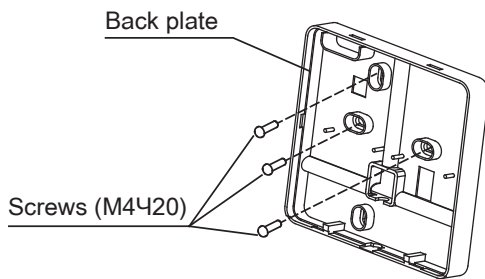


Fig 2-5

- For flush-mounting, fasten the back plate on the switch box with 2 screws (M4×25) and fasten it on the wall with 1 screw (M4×20). (Fig.2-6)

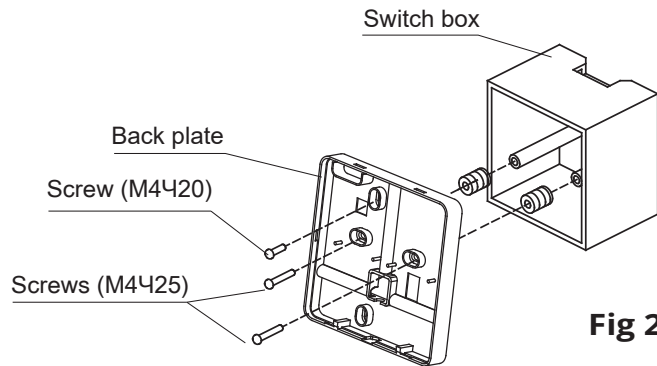
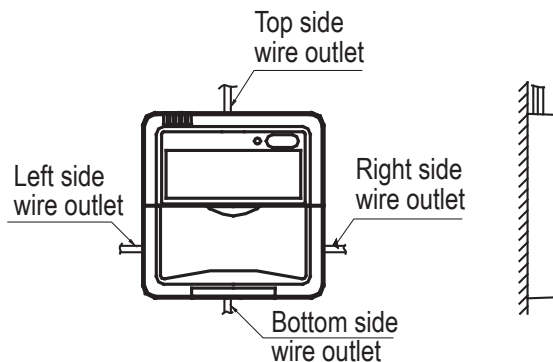


Fig 2-6

### **! WARNING**

Put on a flat surface. Be careful not to distort the back plate of the wire controller by overtightening the mounting screws.

## 6. Wiring



### Exposed Mounting

There are four outletting positions, however, only three need cutting.

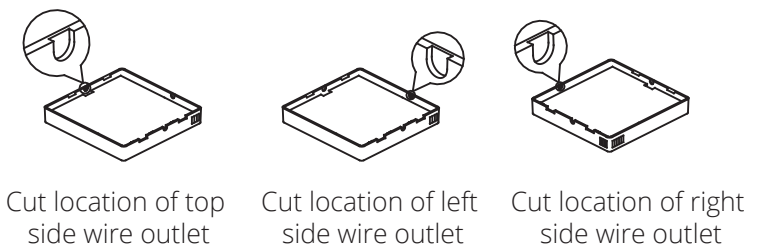
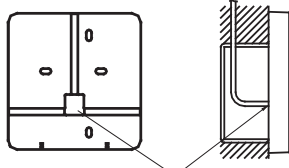


Fig 2-7

## 6. Wiring Continued

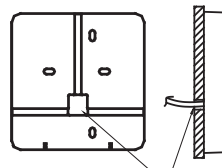
### Shielded Wiring

Embedded switch box wiring



Wiring hole

Wiring through the wall



Wall hole and wiring hole  
Diameter of wall hole: 20mm

Fig 2-8

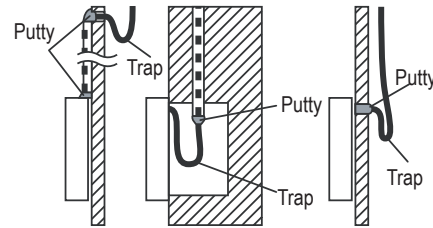


Fig 2-9

### ⚠ WARNING

- Avoid water entering into the wired remote controller, use trap and putty to seal the connectors of wires during wiring installation. (Fig.2-9)
- During installation, reserve a portion of the connecting wire for later convenience when taking down the wired remote controller during maintenance procedures.

## 7. Reattach The Upper Part Of The Wire Controller

- After adjusting the upper case, buckle the upper case. Be sure to avoid clamping the wiring during installation. (Fig 2-10)

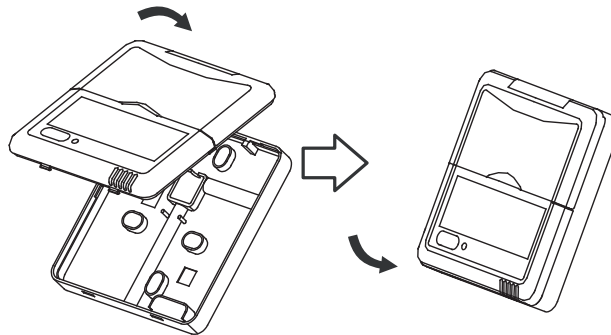


Fig 2-10

### NOTE

- All the pictures in this manual are for explanation purposes only. Your wire controller may vary.





**MRCOOL®**

**COMFORT MADE SIMPLE**

Olympus Series  
Mid-Static Duct Air Handlers

The design and specifications of this product and/or manual are subject to change without prior notice. Consult with the sales agency or manufacturer for details.