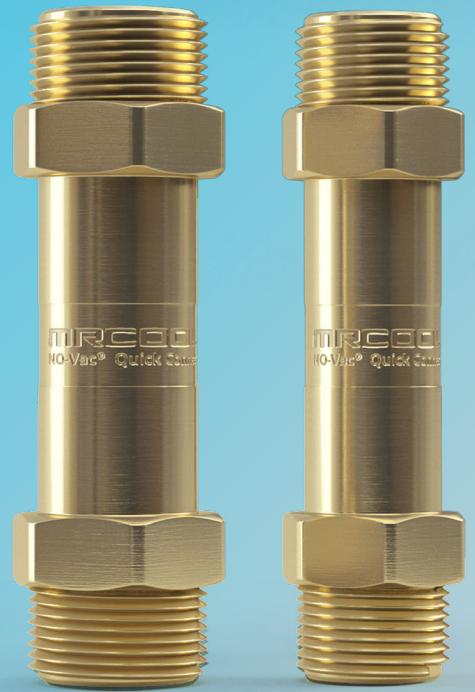


MRCOOL® NO-VAC COUPLER

FOR THE UNIVERSAL QUICK-CONNECT® LINESET

When one standard size **NO-VAC® QUICK CONNECT® LINE SET** is not long enough, two standard **QUICK CONNECT® LINE SETS** can be combined using our **NO-VAC® COUPLER** to increase the desired length of the **QUICK CONNECT® LINE SETS**.

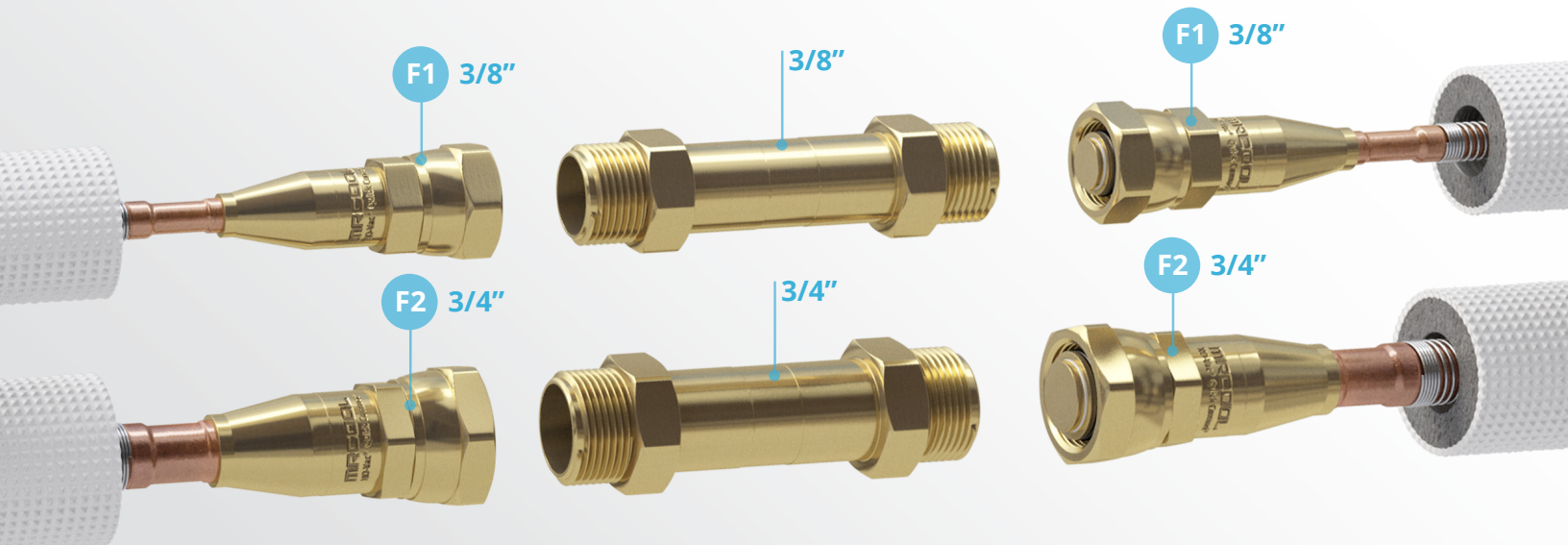


NVCOUPLER-34

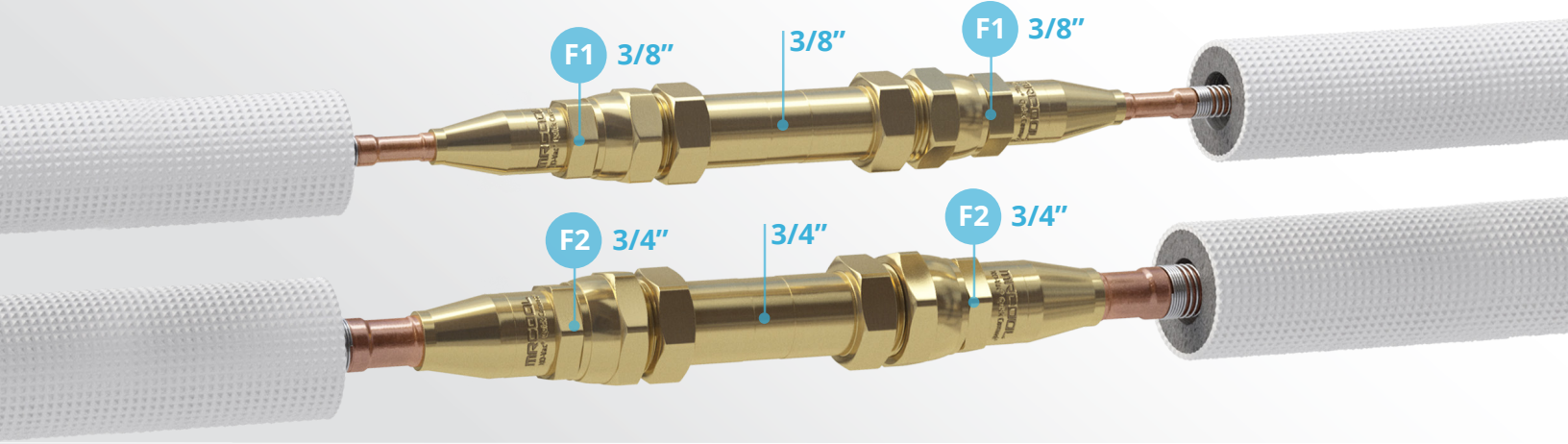
NVCOUPLER-38

PLEASE READ CAREFULLY AND FOLLOW THE INSTRUCTIONS BELOW:

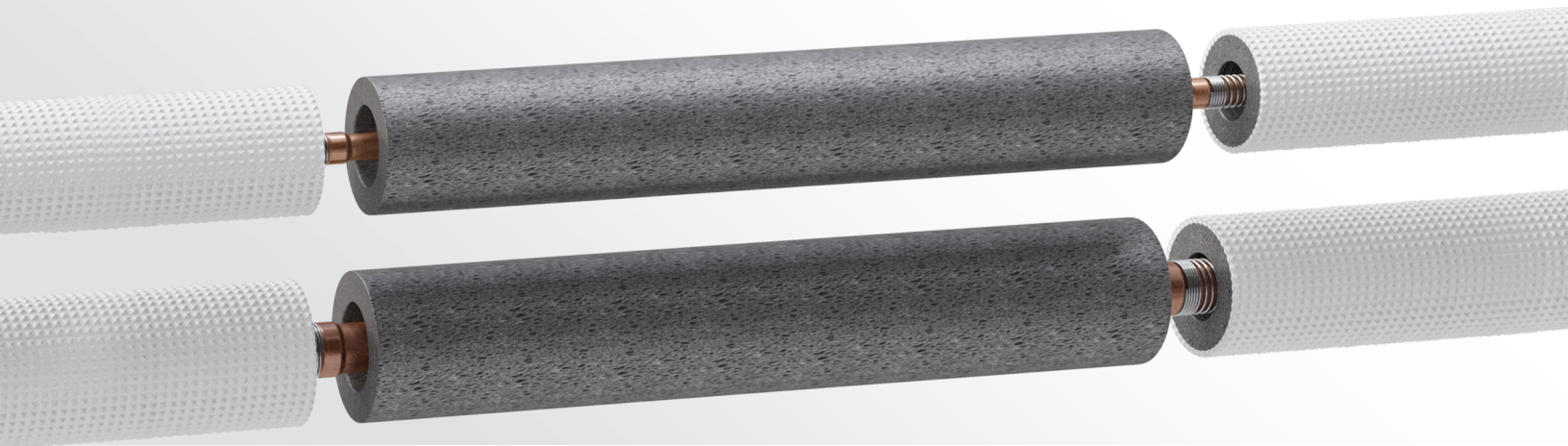
- 1 Select the **No-VAC® QUICK CONNECT® LINE SET** size to be lengthened ($\frac{3}{8}$ or $\frac{3}{4}$). Then select the second standard line set with corresponding specifications for combined connection using the coupler (as shown below).



2 Use a **wrench** to assemble the coupler with both F1 and F2 on the corresponding lineset. Make sure the **thread is screwed** to the bottom until it **stops** (as shown below).



3 After the connection is complete, **cover** the F1, F2, and coupler connections with the **grey insulating sleeve** to help prevent condensation (as shown below).



4 Slide the insulation sleeves together ensuring no copper wiring is exposed and secure in place using tape.

